

ABLOY® ELECTRIC LOCKS

Europrofile DIN range

Trusted for a Reason



ABLOY

TRUSTED FOR A REASON

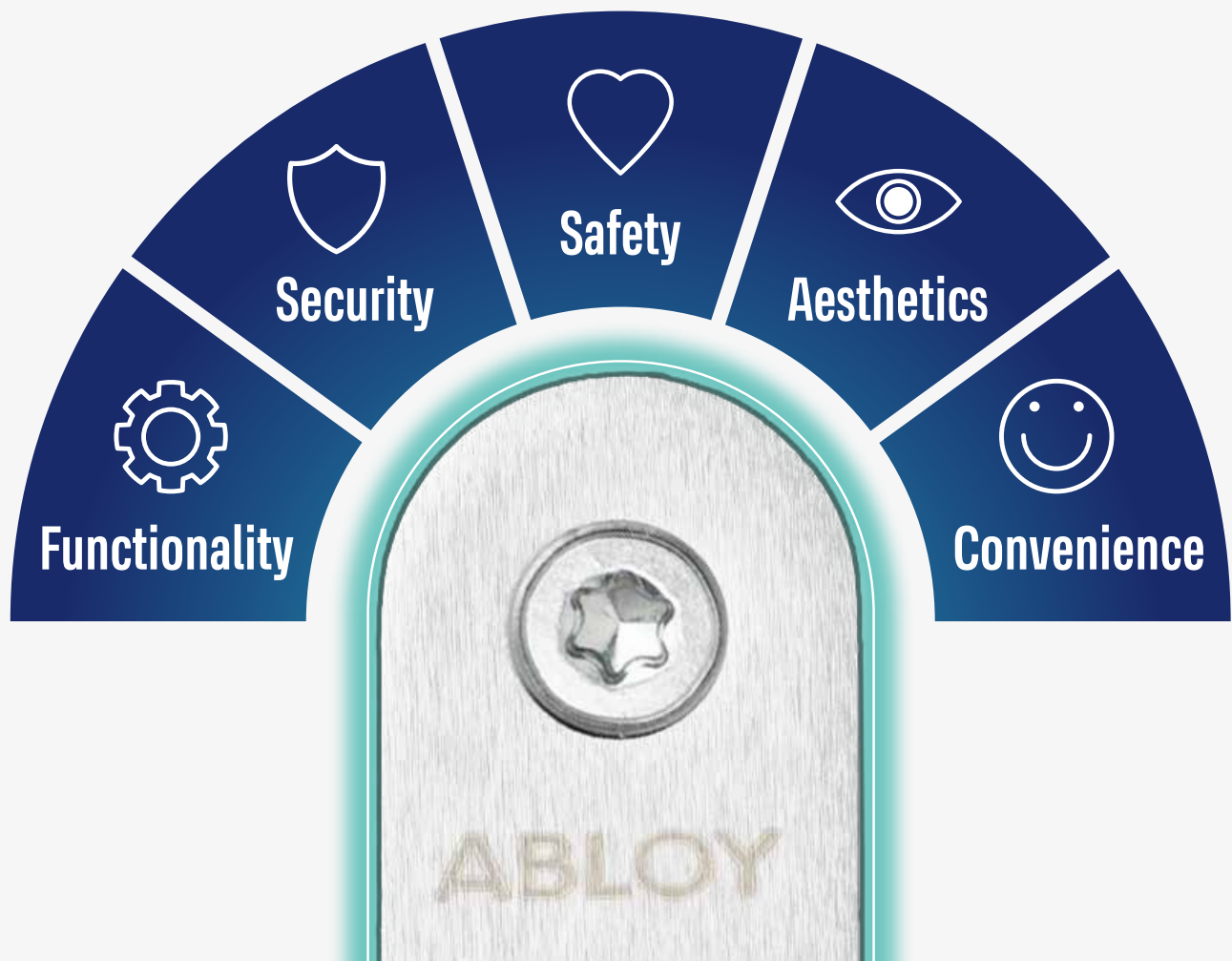
ABLOY Electric locks have over 40 years of trust, innovation and dedication to engineering excellence that is part of our Finnish DNA and heritage. Our products are designed for high-end security and sustainability, with precision performance under all operational conditions. ABLOY DIN range locks are designed to match the regulations and dimensions of the European markets but are known and used all around the world.

Why to choose ABLOY Electric locks?

Compared to other solutions like magnet locks or electric strikes, electric locks give long-lasting security that will not wear out. Still electric locking provides ultimate mechanical strength but uses power only while opening.

With ABLOY Electric locks you get

1. Wide product range
2. Complete solution
3. Premium level of security
4. Energy saving
5. Safety with standards approvals
6. Aesthetic appearance
7. User friendliness
8. More functions



With these symbols you can easily find the recommended products and features of each lock

Indications



Handle used
indicates when handle is being pressed down.



Bolt in
indicates when deadbolt is retracted.



Bolt out
indicates when deadbolt is completely drawn out and deadlocked.



Cylinder used
indicates when key is turned inside the cylinder.



Door closed
indicates when trigger bolt is pressed in.



Cable sabotage
Indicates when cable is cut.

Standard approvals



EN179 standard for emergency exit products, exit route can be equipped by handles.



EN1125 standard for panic exit products, exit route must be equipped with panic bars.

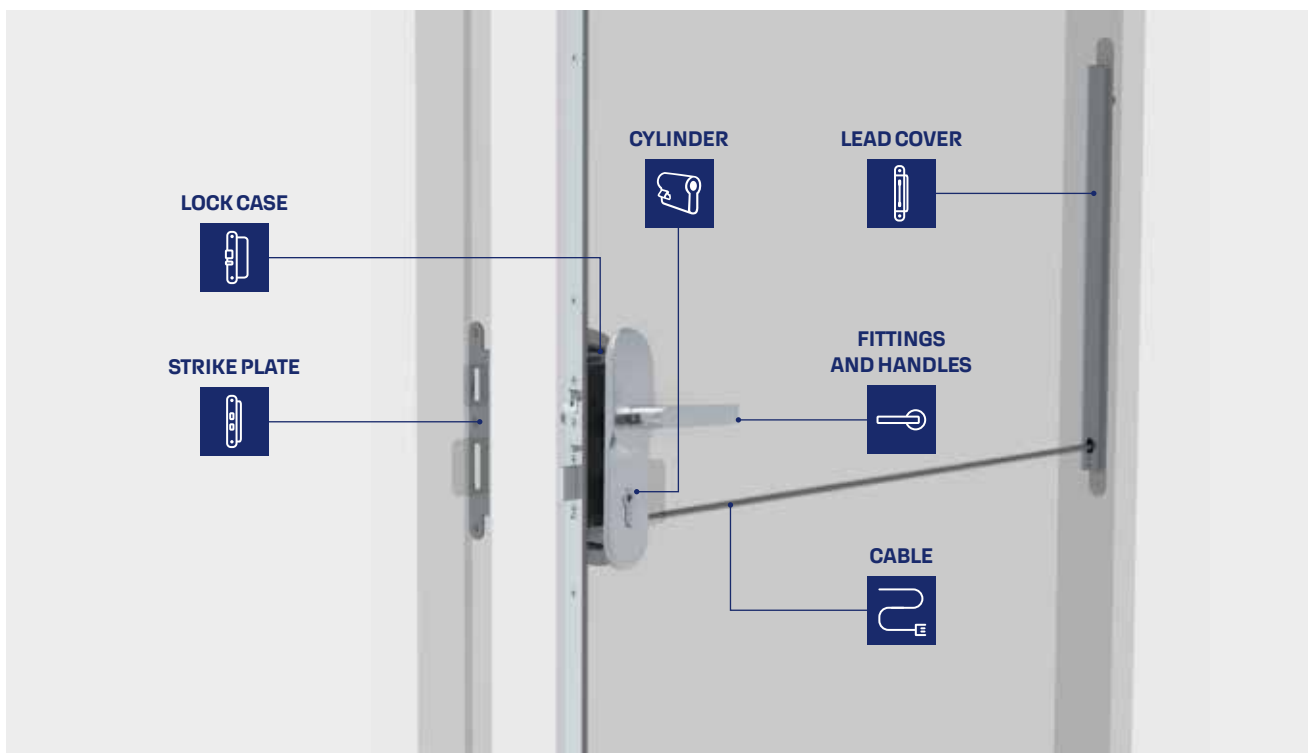


EN1634-1 standard for fire door products, defines the category of fire insulation.

The following standards apply to specific lock cases depending on the category of use.

EXIT - standards require a lock case model with inside handle, push pad or panic bar that can always be used for safe exit.

Recommended products



Available in two sets of models

ABLOY Electric lock product range is available in two sets of models, single point locks and multipoint locks. They both share the same functionality and type of use, as the middle locks of the multipoint locks are based on the single point locks.

You can recognize multipoint locks from the product code which in mechanical, microswitch and solenoid locks ends with digit 6 or 7, and in motor locks begins with MP.

AS EXAMPLE:

- EL566/EL567 are the multipoint versions of EL560/EL561
- MP520 is the multipoint version of EL520

Multipoint locks

With multipoint lock cases the level of security and protection of doors is reached to higher level. Locking solution with three locking points connected together to function as one gives the best support to doors from bending without losing any of the ease of use compared to single point lock cases.

Multipoint locks offer several functional options with comprehensive selection of status indications on one multipoint locking solution. In addition to increased security, they offer the same versatility as single point lock cases. Multipoint locks are available with both U-shape and FLAT forend. Flat forend shape gives more aesthetic look and opens more possibilities for clean-cut installations in different types of doors. This reduces the door gap and gives excellent protection against fire, smoke and burglaries.

Single point lock case



Multipoint lock case



ABLOY Motor locks

Application

ABLOY Motor locks are used in doors that require:

- Convenience (push / pull function)
- Security (no handles outside)
- High durability (high traffic doors)
- Door automation and controlled access

Function

ABLOY Motor lock has two deadlocking elements: a double action latch and a dead bolt. The deadbolt is withdrawn inside the lock case by motor and the double action latch is released, when electrical control is on. Locks are always automatically deadlocked when the door is closed.

Control types

Momentary :

Dead bolt is retained inside the lock case for adjustable delay between 2 - 15 seconds.

Continuous:

Dead bolt is retained inside the lock case as long as electrical control is on.

When the door closes and the delay or electrical control is off, both deadbolt and double action latch are deadlocked. In case of power failure deadbolt and double action latch are always deadlocked in categories Public (EL420, EL520) and High-Security (EL432, EL532). In category Small Business (EL418, EL518) the bolt remains its current position in case of power failure.

ABLOY ELECTRIC LOCKS

High-Security category

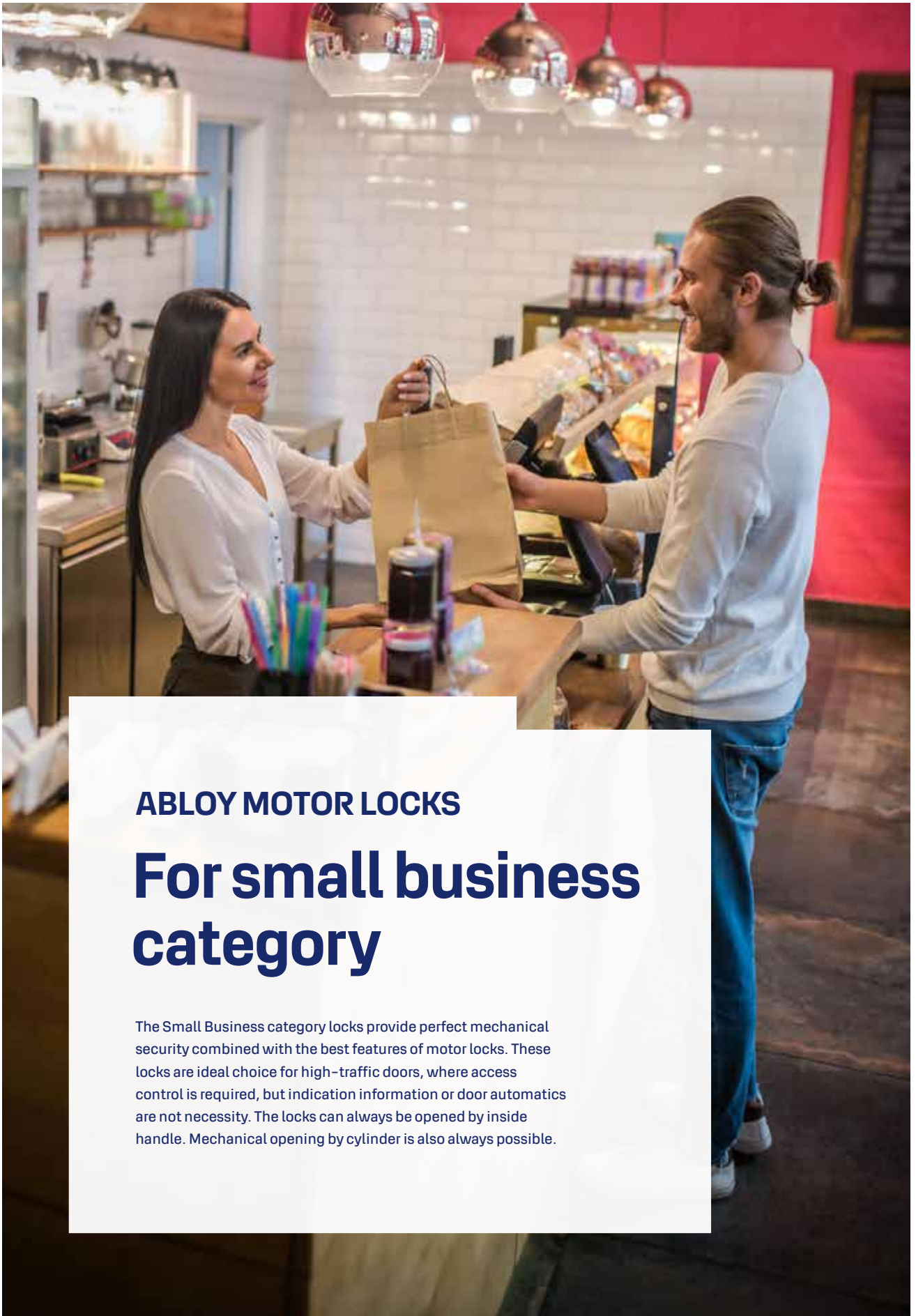
High-Security category locks are suitable for electrically controlled fire rated doors requiring extremely high level of security. Unlike other lock cases High-Security locks can be used in day mode (free access by pushing or pulling), night mode (deadlocked but exit-handle enabled) and also in secure mode (deadlocked and inside handle disabled). The inside handle is electrically controlled but in case of emergency or power failure the locks can be opened by the inside handle. Mechanical opening by cylinder is always possible.



ABLOY MOTOR LOCKS

For public category

The public category locks are suitable for EXIT-doors (EN179/EN1125) and fire rated doors. Public range locks provide perfect combination of safety and security for number of different door environments. Locks can be used in day mode, where deadbolt is driven in giving free access and egress by pushing or pulling the door open. Other option is to use the lock in secure mode where the lock is automatically deadlocked when door is closed, but it can always be opened by inside handle. Mechanical opening by cylinder is also always possible.



ABLOY MOTOR LOCKS

For small business category

The Small Business category locks provide perfect mechanical security combined with the best features of motor locks. These locks are ideal choice for high-traffic doors, where access control is required, but indication information or door automatics are not necessary. The locks can always be opened by inside handle. Mechanical opening by cylinder is also always possible.

ABLOY Solenoid locks

ABLOY offers a full range of solenoid locks for different door styles and applications. The solenoid lock range comprises handle controlled locks in both single point and multipoint locking, but also sophisticated single point lock case with push/pull function.

As a trademark of ABLOY Electric locks also solenoid locks all share the high level of safety and exquisite finishing as a proof of worldwide known premium quality.

Application

ABLOY solenoid locks are used in the doors that require:

- Safety for EXIT-doors, where the inside handle is always in function
- Convenience of push/pull function
- Controlled handle function

Typical applications are offices, meeting rooms and other interior doors of public buildings.

Solenoid lock range includes products for wooden and metal doors and for narrow profile doors as well as multipoint lock cases.

Solenoid locks can be used in exit doors equipped with exit handles, push pads or panic bars depending on the door type. The locks can also be electrically controlled by access control system or by other remote control system such as time control, keypad or push button.

Function

ABLOY handle controlled locks have two deadlocking bolts: a double action latch and a deadbolt. The deadbolt is withdrawn inside the lock case and the locking of double action latch is released by pushing the handle. The locks are always automatically deadlocked when the door is closed.

Handle controlled locks can be set to function as fail locked or as fail unlocked. In the fail locked setting, the lock can be opened by controlled handle when power is on, and can not be opened by controlled handle, when power is off. In the fail unlocked setting, the electrical function is the opposite.

Push/pull function lock has a deadlocking double action latch, which is released by push pad or by electrical control. The lock with double action latch can be used in both right- and left-handed doors and in full swing doors.



ABLOY SOLENOID LOCKS

Handle controlled

Handle controlled locks are best suited in medium traffic doors. The locks can be electrically controlled by access control system or by a remote control system such as timer, keypad or push button. The locks can be used in emergency exit, panic exit and fire rated doors (EN). The locks are not suitable for use with door automatics.

EL460 or EL560 is used if mechanical exit function is needed. Only outside handle is electrically controlled. The lock can always be opened by inside handle. Mechanical opening by cylinder is always possible.

EL461 or EL561 is used if both access and exit are electrically controlled. Both inside and outside handles are simultaneously controlled and released. Mechanical opening by cylinder or thumbturn is always possible.

EL460, EL461

Used in narrow profile

Indications



Handle used Cylinder used Bolt in Bolt out Door closed Cable sabotage

Standard approvals



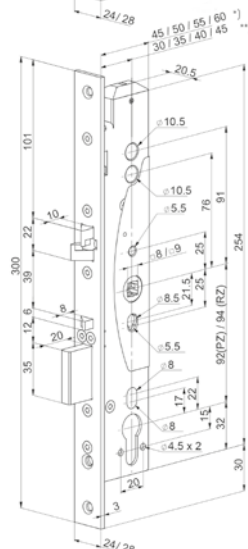
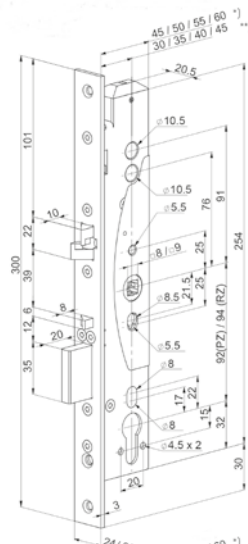
EN179 EN1125 EN1634

* EL461 and EL561 are not EXIT-approved.

Recommended products



EA324 EA219 EA281 CY321T EH004



EL560, EL561

Used in wooden and metal doors

Indications



Handle used Cylinder used Bolt in Bolt out Door closed Cable sabotage

Standard approvals



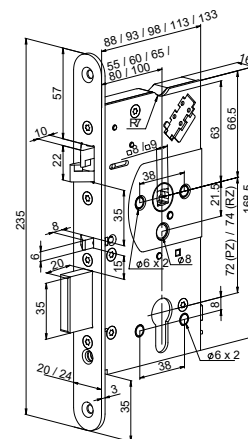
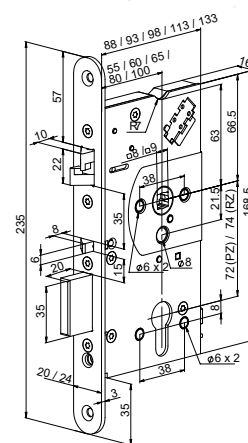
EN179 EN1125 EN1634

* EL461 and EL561 are not EXIT-approved.

Recommended products



EA324 EA219 EA281 CY321T EH004



ABLOY SOLENOID LOCKS

Handle controlled multipoint locks

Handle controlled locks are best suited in medium traffic doors. They can be electrically controlled by an access control system or by a remote control system such as timer, keypad or push button.

Handle controlled multipoint locks contain main lock in the middle based on a single point lock of the chosen category and two auxiliary locks with hook bolts. All three lock cases share the same forend and are controlled by the main handle controlled lock in the middle.

The multipoint locks are recommended to be used in security doors, fire doors or other doors with higher profile in e.g. storage rooms and technical maintenance rooms.

Handle controlled multipoint locks can be used in emergency exit, panic exit and fire rated doors (EN). The locks are not suitable for use with door automatics.

EL466 and EL566 with split spindle is chosen, when exit by handle is needed. Only outside handle is electrically controlled. The lock can always be opened by inside handle. Mechanical opening by cylinder is always possible.

EL467 and EL567 with straight spindle is used, when both access and exit are controlled. Both inside and outside handles are simultaneously controlled and released. Mechanical opening by cylinder or thumbturn is always possible.



EL466, EL467

Used in narrow profile doors

Indications



Handle used Cylinder used Bolt in Bolt out Door closed Cable sabotage

Standard approvals



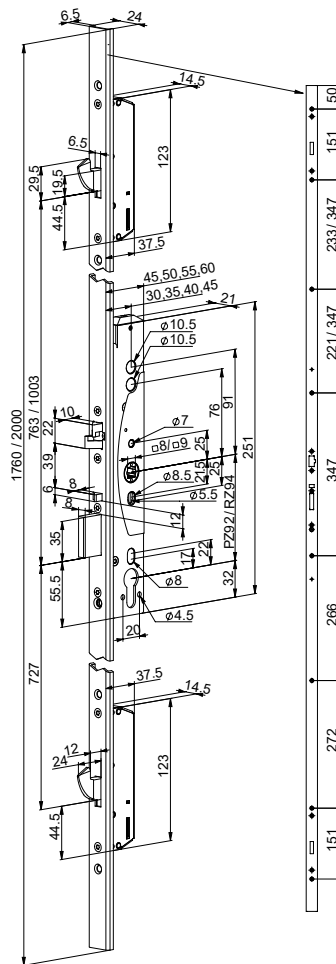
EN179 EN1125 EN1634

* EL467 is not EXIT-approved.

Recommended products



EA324+ EA219 EA281 CY321T
EA306



EL566, EL567

Used in wooden and metal doors

Indications



Handle used Cylinder used Bolt in Bolt out Door closed Cable sabotage

Standard approvals



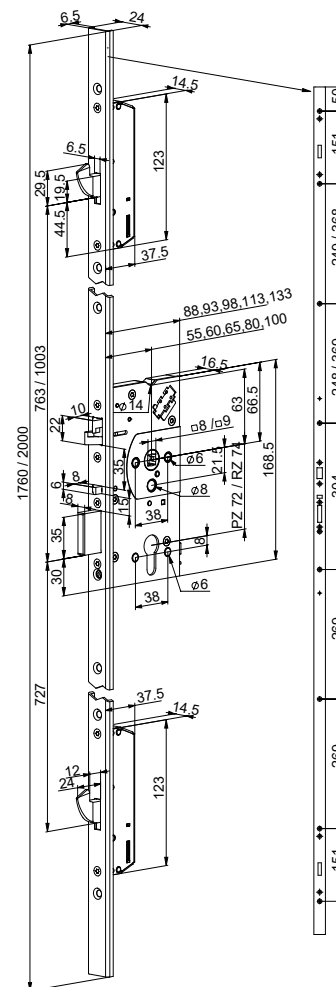
EN179 EN1125 EN1634

* EL567 is not EXIT-approved.

Recommended products



EA324+ EA219 EA281 CY321T EH004
EA306



ABLOY SOLENOID LOCKS

Push & Pull function

ABLOY EL404 lock case with double action bolt features an innovative adjustable backset technique. ABLOY EL404 is typically used in narrow profile exterior doors of apartment buildings and interior doors of business premises. The lock has a double action bolt construction for durable and easy use and it offers a cost effective way of electric locking that is highly advantageous in comparison to e.g. electric strike.

ABLOY EL404 can be controlled by a variety of control devices such as card reader, keypad or timer. The lock can be connected to door automatics and is an excellent solution for use with access control systems. Horizontal frame mounting above the door is also possible. Symmetric trigger bolt ABLOY EL404 can be used in swing doors. With EL404 door can be opened by pushing or pulling when electric control is switched on. There are two different versions of EL404: Fail Secure and Fail Safe -versions.

Functional features

- Adjustable backset
- Non-handed, symmetrical trigger bolt
- Immediate release of deadlocking
- Wide operating voltage

ABLOY EL404 is not recommended for use in doors with seal force or in fire rated doors. In swing doors the lock may be locked only when the door has completely stopped in the closed -position.

ABLOY SOLENOID LOCKS

EL404

Indications



Bolt out

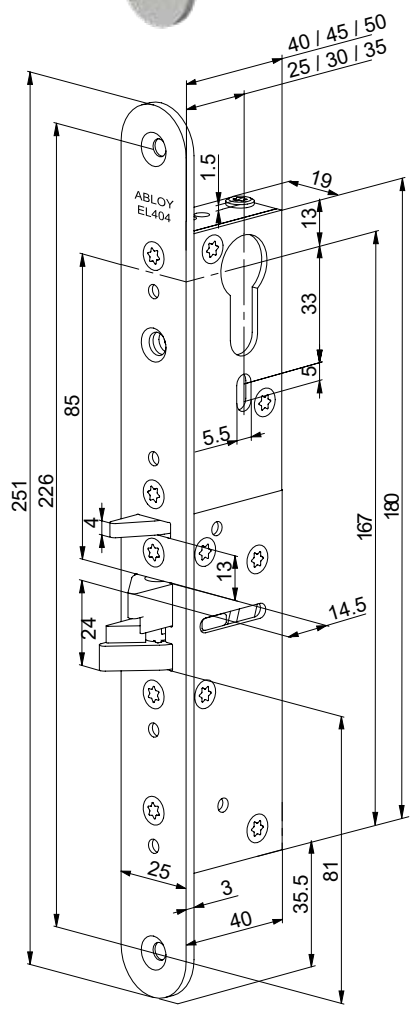
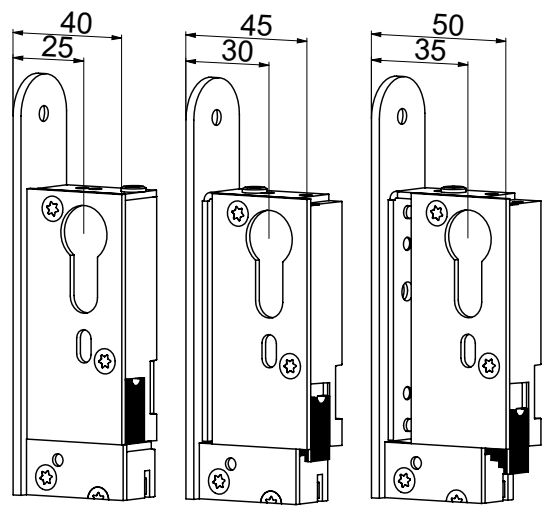
Recommended products



EA307 EA221 EA281 CY323T



Adjustable backset





Mechanical/ Microswitch locks

DIN range includes also microswitch and mechanical lock cases with the same dimensions as handle controlled solenoid locks. Both microswitch and mechanical locks share also the same mechanical strength as handle controlled solenoid locks to guarantee the high level of security. Microswitch and mechanical locks are available both in single point and multipoint lock versions.

Microswitch locks are used in doors where door status indications are required but the electric function is not a necessity. Door can be connected to alarm system but not for example to door automatics.

Mechanical locks are used in door environments not requiring any electric functions or indications.

Microswitch and mechanical lock cases are recommended to be used with the inside handle only. The lock can always be opened by inside handle, so these locks can be used in EXIT-doors. Opening from outside by cylinder is always possible.

Accessories

Use original ABLOY accessories to ensure the correct function on the lock and the door environment. The ABLOY Electric locks are designed and tested together as a package with ABLOY accessories. Therefore it is highly recommended to use the correct components to ensure the safety and security of the door.

By choosing the model-specific ABLOY striker plate the electric locks work in the door as smoothly and long-lastingly as they are designed to. ABLOY lead covers assure the safe connection for the cable from door to the frame. Lead covers protect the wires and increase the durability of the cable. Lead covers are available in two versions. EA280 is recommended to doors with maximum opening angle of 120°. The longer version EA281 is recommended to doors with maximum opening angle of 180°. Please, see technical compatibility details table at page 24-25.

EN14846

The Standard for Electromechanical Locks

All of our DIN range lock cases are officially tested and approved according to the standard for electromechanical lock cases. EN14846 combines the mechanical strength tests (former EN12209) with electric testings, which means that the lock cases are tested more versatile than ever before. The electric lock standard contains levels of lock status indications and electrical manipulation.

All of the DIN range lock cases are tested according to: EN14846 standard for electromechanical locks, defines the category of use, mechanical strength and electrical features. EMC testing for electromagnetic compatibility ensures that products are tested against electric emission and interference.



Technical Compatibility Details

Solenoid lock cases

ABLOY PROTEC2 (T) ABLOY NOVEL (U)		EL404	EL460	EL461	EL466	EL467	EL560	EL561	EL566	EL567
CYLINDERS										
	Single									
	CY321 (T,U)		x		x		x		x	
	CY331 (T,U)		x		x		x		x	
	Double									
	CY322 (T,U)	x		x		x		x		x
	CY332 (T,U)	x		x		x		x		x
	Single w thumbturn									
	CY323 (T,U)	x		x		x		x		x
	CY333 (T,U)	x		x		x		x		x
CABLE										
	EA211 (6 m)	x								
	EA218 (6 m)		x	x	x	x	x	x	x	x
	EA230 (6 m)									
	EA221 (10 m)	x								
	EA219 (10 m)		x	x	x	x	x	x	x	x
	EA231 (10 m)									
LEAD COVER										
	EA280	x	x	x	x	x	x	x	x	x
	EA281	x	x	x	x	x	x	x	x	x
STRIKE PLATES										
	For main locks									
	EA307	x								
	EA308	x								
	EA311	x								
	EA321		x	x	x	x	x	x	x	x
	EA322		x	x	x	x	x	x	x	x
	EA323		x	x	x	x	x	x	x	x
	EA324		x	x	x	x	x	x	x	x
	EA325		x	x	x	x	x	x	x	x
	EA326		x	x	x	x	x	x	x	x
	EA327		x	x	x	x	x	x	x	x
	EA328		x	x	x	x	x	x	x	x
	EA329		x	x	x	x	x	x	x	x
	EA330		x	x	x	x	x	x	x	x
	EA331		x	x	x	x	x	x	x	x
	EA332		x	x	x	x	x	x	x	x
	LP764									
	For auxiliary locks									
	EA306				x	x			x	x
	LP780								x	x
	LP781								x	x

Motor lock cases

ABLOY PROTEC2 (T)	ABLOY NOVEL (U)	EL418	EL420	EL432	MP418	MP420	MP432	EL518	EL520	EL532	MP518	MP520	MP532
CYLINDERS													
Single													
	CY321 (T,U)	x	x		x	x	x	x	x	x	x	x	x
	CY331 (T,U)	x	x		x	x	x	x	x	x	x	x	x
Double													
	CY322 (T,U)			x		x	x	x	x	x	x	x	x
	CY332 (T,U)			x		x	x	x	x	x	x	x	x
Single w thumbturn													
	CY323 (T,U)					x	x	x	x	x	x	x	x
	CY333 (T,U)					x	x	x	x	x	x	x	x
CABLE													
	EA211 (6 m)	x			x			x			x		
	EA218 (6 m)		x			x			x			x	
	EA230 (6 m)			x			x			x			x
	EA221 (10 m)	x			x			x			x		
	EA219 (10 m)		x			x			x			x	
	EA231 (10 m)			x			x			x			x
LEAD COVER													
	EA280	x	x	x	x	x	x	x	x	x	x	x	x
	EA281	x	x	x	x	x	x	x	x	x	x	x	x
STRIKE PLATES													
For main locks													
	EA307												
	EA308												
	EA311												
	EA321		x	x	x	x	x	x	x	x	x	x	x
	EA322		x	x	x	x	x	x	x	x	x	x	x
	EA323		x	x	x	x	x	x	x	x	x	x	x
	EA324		x	x	x	x	x	x	x	x	x	x	x
	EA325		x	x	x	x	x	x	x	x	x	x	x
	EA326		x	x	x	x	x	x	x	x	x	x	x
	EA327		x	x	x	x	x	x	x	x	x	x	x
	EA328		x	x	x	x	x	x	x	x	x	x	x
	EA329		x	x	x	x	x	x	x	x	x	x	x
	EA330		x	x	x	x	x	x	x	x	x	x	x
	EA331		x	x	x	x	x	x	x	x	x	x	x
	EA332		x	x	x	x	x	x	x	x	x	x	x
	LP764												
For auxiliary locks													
	EA306				x	x	x				x	x	x
	LP780										x	x	x
	LP781										x	x	x

Recommended combinations

RECOMMENDED HANDLES	
EXIT (EN179) EH004 (FORUM 4) EH006 (POLAR 6) EH060 (PRESTO 3-10) EH070 (INOXI 3-19)	Non-EXIT DH004 (FORUM 4) DH006 (POLAR 6) DH060 (PRESTO 3-20) DH070 (INOXI 3-19)



Mechanical lock cases

LOCK CASES	Suitable for EXIT door EN179/EN1125	Strike plates	MTP strike plates, auxiliary locks	Cable	Lead cover	Plate types for handles, X)	Panic bar	Plate types for a panic bar, X)
SINGLE POINT								
EL160	×	EA321, EA322, EA323, EA324, EA325, EA326, EA327, EA328, EA329				040, 242/115 PZ BL	PBE011	LH242/115 PZ
MULTIPOINT								
EL166	×	EA322, EA324, EA325, EA326, EA327, EA328, EA329	LP780			040, 242/115 PZ BL	PBE011	LH242/115 PZ
EL166 (rebated door)		EA321, EA323	LP781			040/242/115 PZ BL		
SINGLE POINT								
EL060	×	EA322, EA324, EA325, EA326, EA327, EA328, EA329				0750, 2750 PZ BL	PBE011	LH2750/115 PZ
MULTIPOINT								
EL066	×	EA322, EA324, EA325, EA326, EA327, EA328, EA329	EA306			0750, 2750 PZ BL	PBE011	LH2750/115 PZ

Solenoid lock cases

LOCK CASES	Suitable for EXIT door EN179/EN1125	Strike plates	MTP strike plates, auxiliary locks	Cable	Lead cover	Plate types for handles, X)	Panic bar	Plate types for a panic bar, X)
SINGLE POINT								
EL560	×	EA321, EA322, EA323, EA324, EA325, EA326, EA327, EA328, EA329		EA218, EA219	EA280, EA281	042, 242 PZ BL	PBE011 (+EA288)	LH242/115 PZ
EL561		EA321, EA322, EA323, EA324, EA325, EA326, EA327, EA328, EA329		EA218, EA219	EA280, EA281	042, 242 PZ PZ		
MULTIPOINT								
EL566	×	EA322, EA324, EA325, EA326, EA327, EA328, EA329	LP780	EA218, EA219	EA280, EA281	042, 242 PZ BL	PBE011 (+EA288)	LH242/115 PZ
EL566 (rebated door)	×	EA321, EA323	LP781	EA218, EA219	EA280, EA281	042, 242 PZ BL	PBE011 (+EA288)	LH242/115 PZ
EL567		EA322, EA324, EA325, EA326, EA327, EA328, EA329	LP780	EA218, EA219	EA280, EA281	042, 242 PZ PZ		
EL567 (rebated door)		EA321, EA323	LP781	EA218, EA219	EA280, EA281	042, 242 PZ PZ		
SINGLE POINT								
EL460	×	EA322, EA324, EA325, EA326, EA327, EA328, EA329		EA218, EA219	EA281	0750, 2750 PZ BL	PBE011 (+EA288)	LH2750/115 PZ
EL461		EA322, EA324, EA325, EA326, EA327, EA328, EA329		EA218, EA219	EA281	0750, 2750 PZ PZ		
MULTIPOINT								
EL466	×	EA322, EA324, EA325, EA326, EA327, EA328, EA329	EA306	EA218, EA219	EA281	0750, 2750 PZ BL	PBE011 (+EA288)	LH2750/115 PZ
EL467		EA322, EA324, EA325, EA326, EA327, EA328, EA329	EA306	EA218, EA219	EA281	0750, 2750 PZ PZ		

X) For more detailed information, please see ABLOY HANDLES - brochure (8803309)

Motor lock cases

LOCK CASES	Suitable for EXIT door EN179/EN1125	Strike plates	MTP strike plates, auxiliary locks	Cable	Lead cover	Plate types for handles, X)	Panic bar	Plate types for a panic bar, X)
SINGLE POINT								
EL518	✗	EA321, EA322, EA323, EA324, EA325, EA326, EA327, EA328, EA329		EA211, EA221	EA280, EA281	040, 242/115 PZ BL	PBE011	LH242/115 PZ
EL520	✗	EA321, EA322, EA323, EA324, EA325, EA326, EA327, EA328, EA329		EA218, EA219	EA280, EA281	040, 242/115 PZ BL	PBE011	LH242/115 PZ
EL532		EA321, EA322, EA323, EA324, EA325, EA326, EA327, EA328, EA329		EA230, EA231	EA280, EA281	040, 242/115 PZ PZ		
MULTIPOINT								
MP518	✗	EA322, EA324, EA325, EA326, EA327, EA328, EA329	LP780	EA211, EA221	EA280, EA281	040,242/115 PZ BL	PBE011	LH242/115 PZ
MP518 (rebated door)	✗	EA321, EA323	LP781			040,242/115 PZ BL	PBE011	LH242/115 PZ
MP520	✗	EA322, EA324, EA325, EA326, EA327, EA328, EA329	LP780	EA281, EA219	EA280, EA281	040,242/115 PZ BL	PBE011	LH242/115 PZ
MP520 (rebated door)	✗	EA321, EA323	LP781			040,242/115 PZ BL	PBE011	LH242/115 PZ
MP532		EA322, EA324, EA325, EA326, EA327, EA328, EA329	LP780	EA230, EA231	EA280, EA281	040,242/115 PZ PZ		
MP532 (rebated door)		EA321, EA323	LP781			040,242/115 PZ PZ		
SINGLE POINT								
EL418	✗	EA322, EA324, EA325, EA326, EA327, EA328, EA329		EA211, EA221	EA281	0730, 2750/115 PZ BL	PBE011	LH2750/115 PZ
EL420	✗	EA322, EA324, EA325, EA326, EA327, EA328, EA329		EA218, EA219	EA281	0730, 2750/115 PZ BL	PBE011	LH2750/115 PZ
EL432		EA322, EA324, EA325, EA326, EA327, EA328, EA329		EA230, EA231	EA281	0730, 2750/115 PZ PZ		
EL404		EA307		EA211, EA221	EA281	0730, 2750/115 PZ PZ		
MULTIPOINT								
MP418	✗	EA322, EA324, EA325, EA326, EA327, EA328, EA329	EA306	EA211, EA221	EA281	0730, 2750/115 PZ BL	PBE011	LH2750/115 PZ
MP420	✗	EA322, EA324, EA325, EA326, EA327, EA328, EA329	EA306	EA218, EA219	EA281	0730, 2750/115 PZ BL	PBE011	LH2750/115 PZ
MP432		EA322, EA324, EA325, EA326, EA327, EA328, EA329	EA306	EA230, EA231	EA281	0730, 2750/115 PZ PZ		

Microswitch lock cases

LOCK CASES	Suitable for EXIT door EN179/EN1125	Strike plates	MTP strike plates, auxiliary locks	Cable	Lead cover	Plate types for handles, X)	Panic bar	Plate types for a panic bar, X)
SINGLE POINT								
EL360	✗	EA321, EA322, EA323, EA324, EA325, EA326, EA327, EA328, EA329		EA218, EA219	EA280, EA281	040, 242/115 PZ BL	PBE011	LH242/115 PZ
MULTIPOINT								
EL366	✗	EA322, EA324, EA325, EA326, EA327, EA328, EA329	LP780	EA218, EA219	EA280, EA281	040, 242/115 PZ BL	PBE011	LH242/115 PZ
EL366 (rebated door)	✗	EA321, EA323	LP781				PBE011	LH242/115 PZ
SINGLE POINT								
EL260	✗	EA322, EA324, EA325, EA326, EA327, EA328, EA329		EA218, EA219	EA281	0750, 2750 PZ BL	PBE011	LH2750/115 PZ
MULTIPOINT								
EL266	✗	EA322, EA324, EA325, EA326, EA327, EA328, EA329	EA306	EA218, EA219	EA281	0750, 2750 PZ BL	PBE011	LH2750/115 PZ

X) For more detailed information, please see ABLOY HANDLES –brochure (8803309)



SECURED BY ABLOY

ABLOY offers security and locking innovations dedicated to creating more trust in the world. Combining digital and mechanical expertise, Abloy Oy develops industry-leading security solutions that protect people, property and business. Abloy is part of the ASSA ABLOY Group, the global leader in access solutions. Every day, we help billions of people experience a more open world.

Abloy Oy
Wahlforssinkatu 20
P.O.Box 108
FI-80101 Joensuu
Finland
Tel. + 358 20 599 2501
Abloy.com

Abloy maintains Product Security Center at www.abloy.com/securitycenter. We recommend that you check the Center on a regular basis in order to be fully informed of product security updates, so that your knowledge of our products remains optimal.

It is the customer's responsibility to define the required level of security, whilst taking into consideration relevant factors for its operations. To achieve the overall level of security required in the customer's operations multiple layers of security must be in place. These include for example locking system, key management system, access management, CCTV and alarm system as well as physical security in a manner and level specified by the customer.

This content is protected by Intellectual Property Rights Laws. The title to the content shall not pass to you, and instead shall remain with Abloy Oy or a third party holding the title. Abloy develops continuously the products and solutions offered. Therefore, the information contained in the document is subject to change without notice. ABLOY PROVIDES THIS CONTENT ON AN "AS IS" BASIS WITHOUT ANY WARRANTIES OF ANY KIND EXPRESS, IMPLIED, OR STATUTORY."



8805002 | 12/2025